

DMX512-A 2.10 DMX Hub



2 Inputs - 10 Outputs DMX Splitter



General

Inputs	2 x Neutrik 5 pin XLR male (front) 2 x Neutrik 5 pin XLR male (back)
Outputs	10 x Neutrik 5 pin XLR female
DMX Port direction	Input / Output (bidirectional)
DMX Port termination	Yes (120 Ohms)
DMX Protocol	DMX512(1990), DMX512-A (RDM), HighEnd Talkback,... (protocol independent)
Propagation delay	1,5 uS
Turn around time	90 us
Port Load	Maximum 32 devices per port

Status report

Power and backup battery	Power and battery status indicated with tricolor LED
DMX Port	Data activity (blue LED)

Option

DMX Port type	On demand : XLR 5 Pins, 3 Pins, Ethercon or mixed configuration
----------------------	---

Electrical

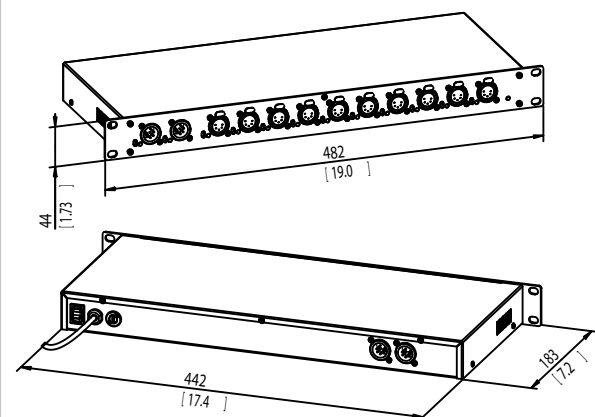
Optical isolation	Up to 1000V
Galvanic isolation	Up to 530V
Short circuit protection	Yes
Input power	20W
Input voltage	90 - 260 VAC
Frequency	47 - 63 Hz
Fuse	125 - 250V, 1A, Slow blow only (5mm x 20mm)

Environmental

Operating temperature	0 to +60 °C
Storage temperature	0 to +60 °C
Weight	2,2 Kg

Overview :

The DMX Hub is a DMX distribution box with 2 dedicated input connectors and 10 configurable output connectors. All in- and output connectors conform to the new DMX 512-A standard. This allows half-duplex data transport on a normal DMX connection such as fixture talk back and RDM. The hub has 2 separate DMX zones with all outlets protected individually. The hub can be used to distribute 1024 dmx channels on the 2 DMX lines. This all comes in a 19", 1 unit high metal housing.



Dimensions :

482 x 183 x 44 mm
19" x 7,2" x 1.73"

Packaging :

520 x 235 x 50 (mm)

Order references :

LU 01 00006 -- DMX512 - A 2.10 Hub